

Product Change Notice - EVP-AH Series Light Touch Switches

PCN.PG26.06.17.2013

06.17.2013

About this Notice:

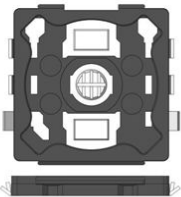
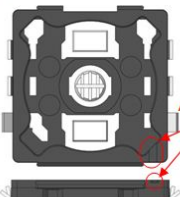
In recent years, performance of solderability has been declining because Pb-free and Halogen-free solder is preferred and solder thickness is becoming thinner. To enhance solderability, solder paste, which has high content of flux, is commanding attention. Due to this trend, flux intrusion into a switch has become more and more frequent. In response to this demand, Panasonic has made modifications to improve flux intrusion and ensure the performance of the switch.

Effective Date:

September 1, 2013

Change Details:

Flux intrusion has been improved by changing the configuration of the mounting base with air path. There are no changes to the switch specifications. See below for change details.

	Current	After change(Improved type)
Dimension	No change	
Appearance	No change	
Configuration of the Mounting base		 <p>Air path</p>
Switch characteristics	No change	

*When a switch is assembled, the cover prevents dust being intruded by covering the air path.

*No change in any other specifications

Affected Parts:

See following list.

CURRENT PART NUMBERS	REPLACEMENT PART NUMBERS
EVP-AHAD6A	EVP-AHAG6A
EVP-AHBD6A	EVP-AHBG6A
EVP-AHCD6A	EVP-AHCG6A

Current part numbers shall no longer be available for purchase after effective date.

Datasheet(s):

EVP-AH Series:
<http://industrial.panasonic.com/www-data/pdf/ATK0000/ATK0000CE30.pdf>

Product Change Notice - EVP-AH Series Light Touch Switches

PCN.PG26.06.17.2013

06.17.2013

Notes: