

# ELL-8TP Series Chip Choke Coils

Wire Wound, Chip Choke Coils with a Magnetic Shielding!

With an 8x8mm case size, the **ELL-8TP Series** small-sized power inductors have magnetic shielding to minimize the effect of noise. They have a low DC resistance so more usable power is delivered to the load. A selection of nineteen part numbers are available with values ranging from 0.8 to 1000µH (9A to 250mA).



## Features

## Benefits

Magnetic Shielding

Minimize Effect of Noise

Low DC Resistance

More Usable Power Delivered to the Load

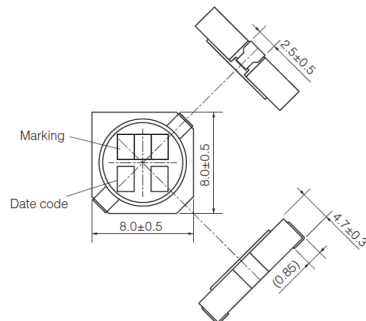
0.8 to 1000uH (9A to 250mA)

Wide Application Coverage

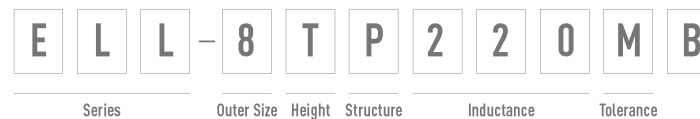
RoHS/REACH Compliant

Environmentally Friendly

## Dimensions



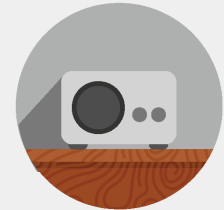
## Part Number Information



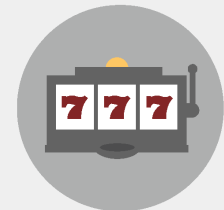
## Applications



Consumer Electronics



Audio/Visual Equipment



Amusement / Gaming