

### NEW! AN26102A Series

#### SiGe Bi-CMOS Monolithic IC, WLCSP PKG Power Amplifier

#### Low Power Consumption and Low Operation Voltage for 2.4GHz WiFi Applications

Panasonic, a worldwide leader in Semiconductor Products, is pleased to announce the **NEW AN26102A Series** Power Amplifier. Using a 0.25u SiGe Bi-CMOS process, the **NEW AN26102A Series** features low power consumption and low operation voltage for 2.4 GHz WiFi applications. This Series provides an ultra small package that facilitates circuit miniaturization in applications that require small and thin module design.

#### Features:

- Ultra Small WLCSP PKG: 1.16mm x 0.86mm x 0.4mm
- Applicable for 2.4GHz WiFi
- Po=18dBm, Gain =30dB, at 2.4GHz
- Power Detector Included
- Vcc =3.3 ,Icc =145mA at 18dBm
- EVM =2.5% at 802.11g Po=18dBm

#### Benefits:

- Minimize WiFi Front End Module PCB Layout Area
- Power Detector IC is Not Needed
- Low Current Consumption
- Operation Voltage 3.3V is Available that is the Same Voltage of RFIC

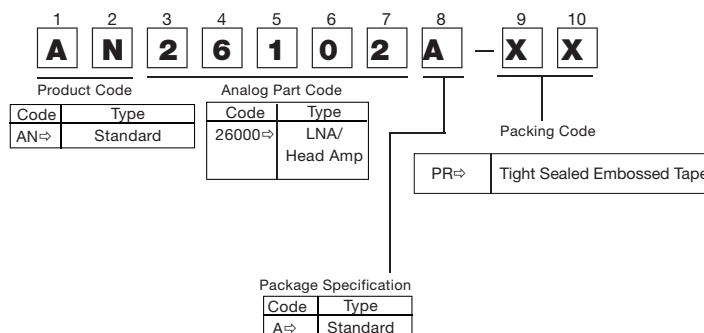
#### Industries:

- Smart Phone
- DSC
- Tablet & PC
- Game
- Printer

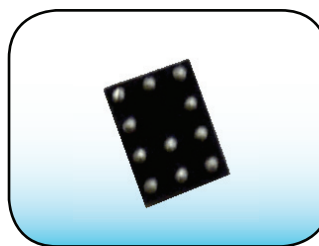
#### Applications:

- WiFi Module for 2.4GHz
- WLAN Module for 2.4GHz

#### Part Number Information:



#### Additional Information:



For detailed specification information on these SiGeC BI-CMOS Monolithic IC Power Amplifiers, visit: [panasonic.com/industrial/includes/zip/AN26102A\\_DataSheet.zip](http://panasonic.com/industrial/includes/zip/AN26102A_DataSheet.zip) today!

Website: [panasonic.com/industrial/semiconductors](http://panasonic.com/industrial/semiconductors)