

EZJ-PZ Series Line Extension

Multi-Layer Ceramic Varistors (MLCV's)

Now Available In 0201 ECA Case Size

Panasonic, a worldwide leader in Circuit Protection Products, introduces the **NEW EZJ-PZ Series** of Multi-Layer Ceramic Varistors (MLCV's). Panasonic Electronic Components' long established EZJ-P Series is now extended to include nine new part numbers in the small 0201 ECA case size. The **NEW EZJ-PZ Series** is well suited for small or handheld electronic devices for the protection of sensitive circuitry from ESD damage.

Features:

- Varistor Voltage: 6.8 to 27 V
- Maximum Allowable Voltage: 3.7 to 15 VDC
- Operating Temperature Range: -40°C to 85°C
- Multi-Layer Monolithic Ceramic Construction
- Meets EIC61000-4-2 Level 4 Standard
- Reflow Soldering
- RoHS Compliant

Benefits:

- Excellent ESD Suppression
- 8kV Contact Discharge Max ESD
- Use To Protect DC Voltage Lines and Low Speed Signal Lines
- Reduced Component Count and Real Estate Versus Using Zener Diodes

Industries:

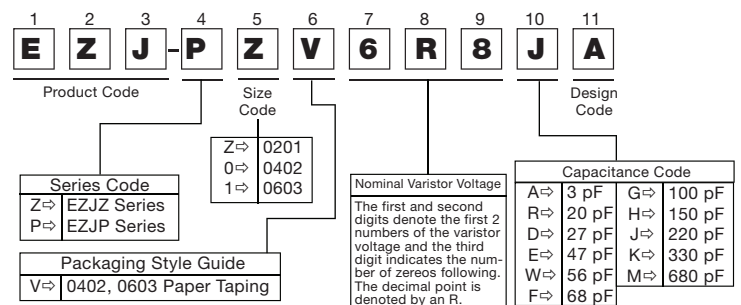
- Communications / Telecommunications
- LED Lighting
- USB
- LCD Panels
- Gaming
- Instrumentation
- Consumer Products

Applications:

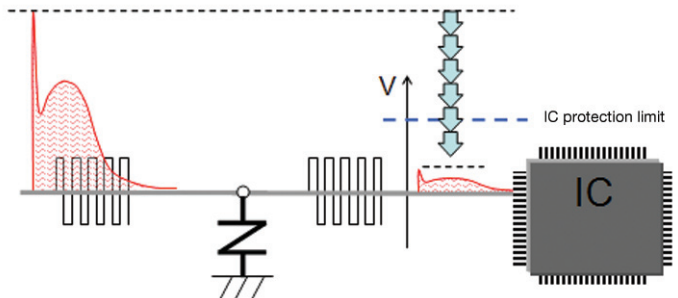
- ESD Protection for IC Inputs
- Bus Lines
- LED's

Characteristics Comparison MLCV vs. Zener Diode		
Characteristics	MLCV	ZD
ESD Suppression	Excellent	Excellent
Deterioration Against ESD	Excellent	Good
Allowable Power	Excellent	Fair
Capacitance Change	Excellent	Poor
Mounting Area	Excellent	Fair

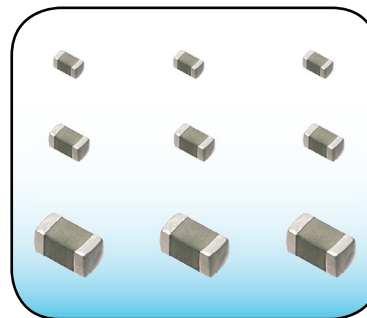
Part Number Information:



Usage Examples:



Additional Information:



For detailed specification information on the EZJ-PZ Series MLCV Line Extension please visit panasonic.com/industrial/components/pdf/EZJ-PZ_DataSheet.pdf today!

Website: <http://www.panasonic.com/industrial/electronic-components/protection/index.aspx>